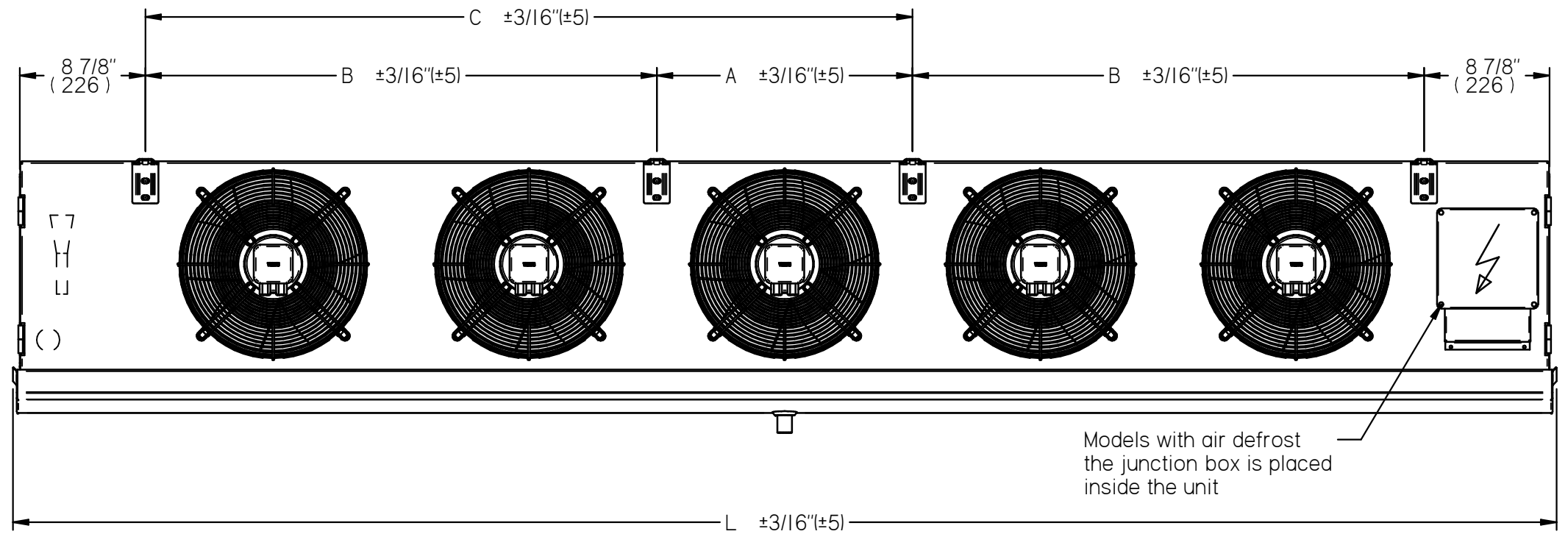
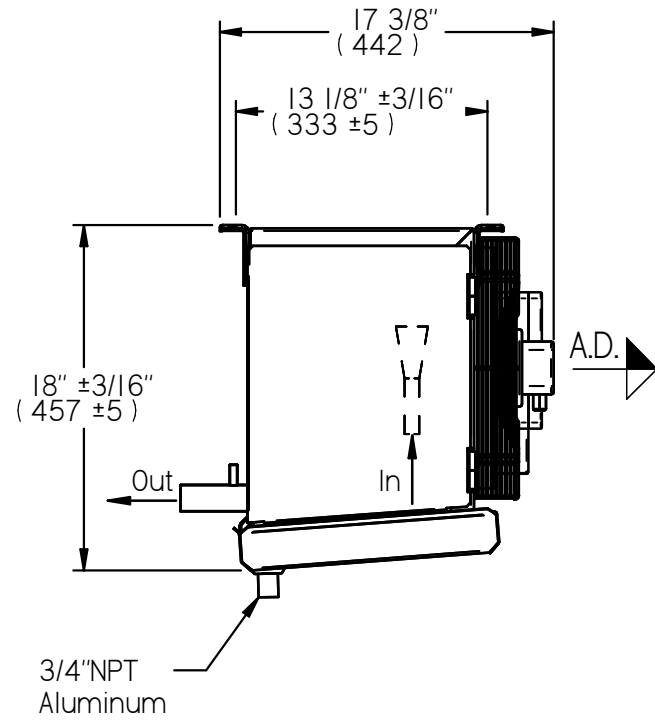


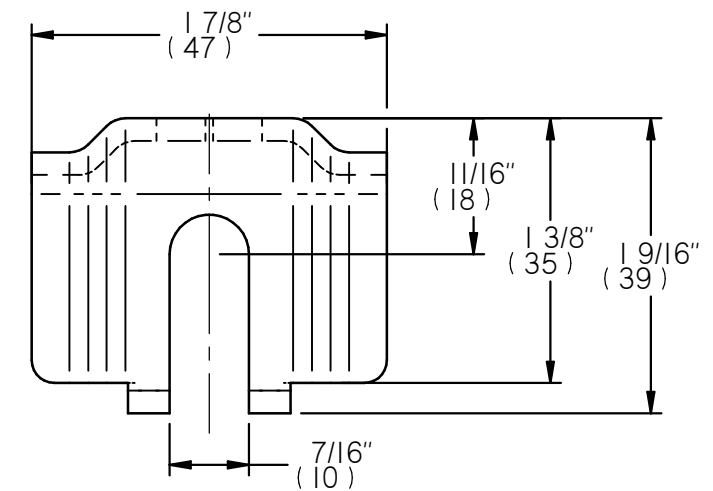
protection note acc. to DIN ISO 16016

measures without specification of tolerances:

DIN EN ISO 13920, tolerance class D
 DIN ISO 2768-1, tolerance class component parts m / assembly v ; length >4m DIN 7168, tolerance class component parts m / assembly sg, welding / brazing;
 DIN ISO 2768-2, tolerance class component parts K / assembly L; length >3m EN 10162, tolerance straightness and flatness 0,002x (length)



HANGER TOP VIEW



Danfoss Code	Air defrost	Fan qty.	Qty. of fixing points	L		A		B		C		Weight	
				inches	mm	inches	mm	inches	mm	inches	mm	lb	kg
114U0000	DACC RX L050.1A4/A1	1	4	36 7/8	937	18 1/8	460	X	X	X	X	49	22
114U0001	DACC RX L070.1A4/A1	1	4	36 7/8	937	18 1/8	460	X	X	X	X	53	24
114U0002	DACC RX L100.1A4/A1	2	4	55	1397	X	X	36 1/4	920	X	X	73	33
114U0003	DACC RX L141.1A4/A1	2	4	55	1397	X	X	36 1/4	920	X	X	82	37
114U0004	DACC RX L150.1A4/A1	3	4	73 1/8	1857	X	X	X	X	54 5/16	1380	97	44
114U0005	DACC RX L210.1A4/A1	3	4	73 1/8	1857	X	X	X	X	54 5/16	1380	110	50
114U0006	DACC RX L282.1A4/A1	4	6	91 1/4	2317	X	X	36 1/4	920	X	X	139	63
114U0007	DACC RX L305.1A4/A1	4	6	91 1/4	2317	X	X	36 1/4	920	X	X	148	67
114U0008	DACC RX L354.1A4/A1	5	8	109 5/16	2777	18 1/8	460	36 1/4	920	X	X	170	77
114U0009	DACC RX L380.1A4/A1	5	8	109 5/16	2777	18 1/8	460	36 1/4	920	X	X	181	82

Danfoss Code	Electric defrost	Fan qty.	Qty. of fixing points	L		A		B		C		Weight	
				inches	mm	inches	mm	inches	mm	inches	mm	lb	kg
114U0010	DACC RX L041.1A4/E1	1	4	36 7/8	937	18 1/8	460	X	X	X	X	53	24
114U0011	DACC RX L063.1A4/E1	1	4	36 7/8	937	18 1/8	460	X	X	X	X	62	28
114U0012	DACC RX L084.1A4/E1	2	4	55	1397	X	X	36 1/4	920	X	X	84	38
114U0013	DACC RX L123.1A4/E1	2	4	55	1397	X	X	36 1/4	920	X	X	97	44
114U0014	DACC RX L127.1A4/E1	3	4	73 1/8	1857	X	X	X	X	54 5/16	1380	112	51
114U0015	DACC RX L186.1A4/E1	3	4	73 1/8	1857	X	X	X	X	54 5/16	1380	132	60
114U0016	DACC RX L233.1A4/E1	4	6	91 1/4	2317	X	X	36 1/4	920	X	X	168	76
114U0017	DACC RX L260.1A4/E1	4	6	91 1/4	2317	X	X	36 1/4	920	X	X	179	81
114U0018	DACC RX L315.1A4/E1	5	8	109 5/16	2777	18 1/8	460	36 1/4	920	X	X	205	93

Dimensions in inches (mm)



scale	1:10	sheet	1/1	size	DIN A3
material					
weight [kg]					
notice					
type	DACC RX L...				
name	Evaporator				
Baan-No.					
revision		date		name	
drawing number	300-0001112725	index			
drawn:	01.06.2021	name	valero	customer	Danfoss
certified:				project/ quantity	
				order/ position	

